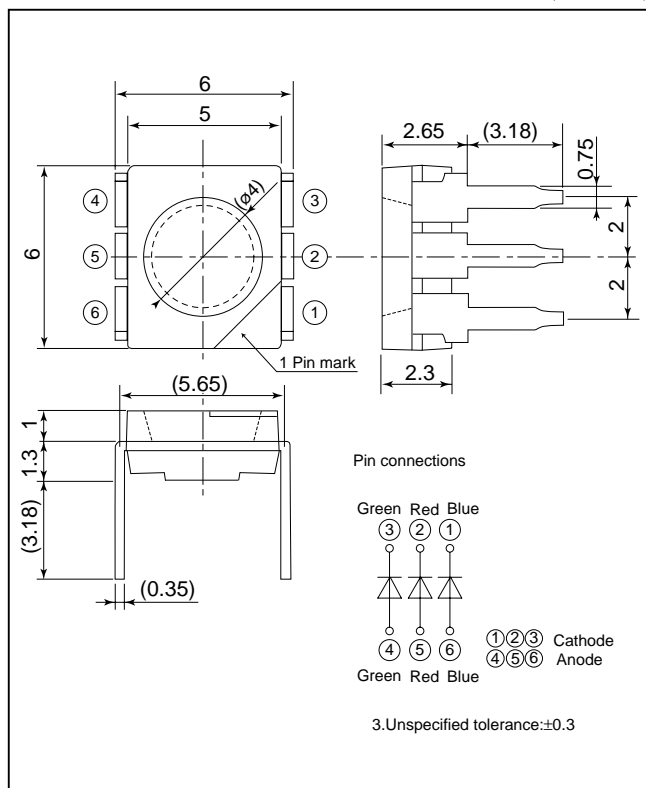


# GM5WA06250Z

## 6.0X5.0mm, 2.3mm Thickness, (Resin portion), RGB 3-Color Emission Super-luminosity Chip LED

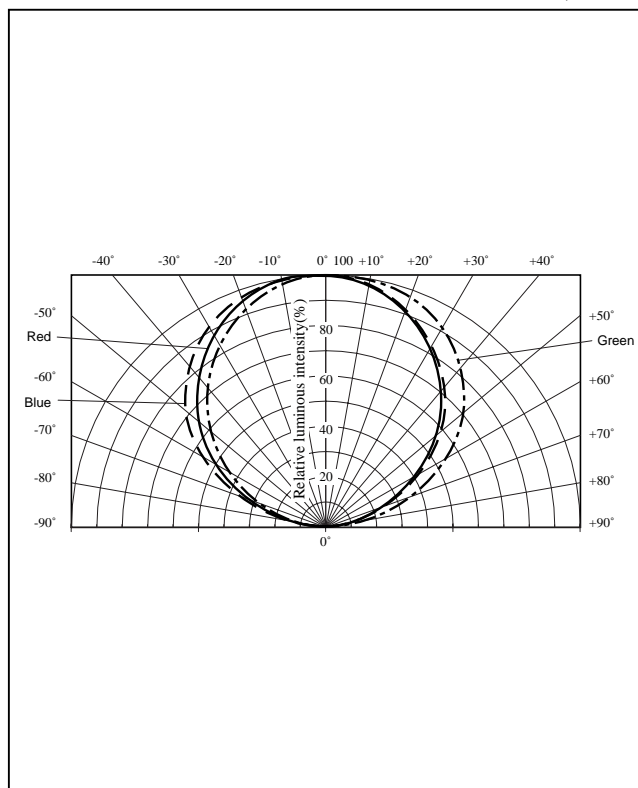
### ■ Outline Dimensions

(Unit : mm)



### ■ Directive Characteristics

(Ta=25°C)



### ■ Absolute Maximum Ratings

(Ta=25°C)

Model No.	Emitting color	Material	Power dissipation P*1 (mW)	Forward current IF (mA)	Peak forward current IFM*2 (mA)	Derating factor (mA/°C)		Reverse voltage VR (V)	Operating temperature Topr (°C)	Storage temperature Tstg (°C)	Soldering temperature Tsol*3 (°C)
						DC	Pulse				
GM5WA06250Z	Blue	InGaN	400	50	80	0.83	1.33	5	-30 to +85	-40 to +85	295
	Green	InGaN		50	80	0.83	1.33				
	Red	AlGaInP on GaAs		50	80	0.83	1.33				

\*1 Within 400 mW at all chips are lightened.

\*2 Duty ratio=1/10, Pulse width=0.1ms

\*3 For 3s or less at the temperature of hand soldering. (At the position of 1.6mm or more from the bottom face of resin package)

### ■ Electro-optical Characteristics

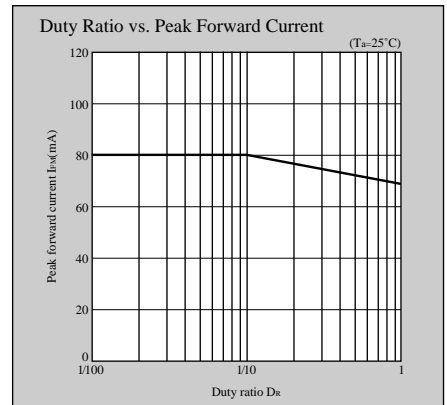
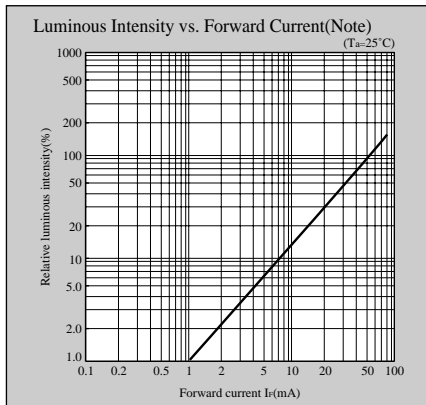
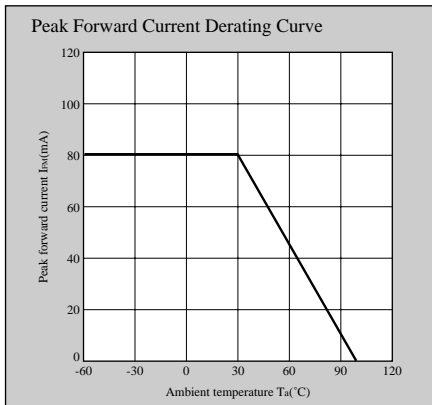
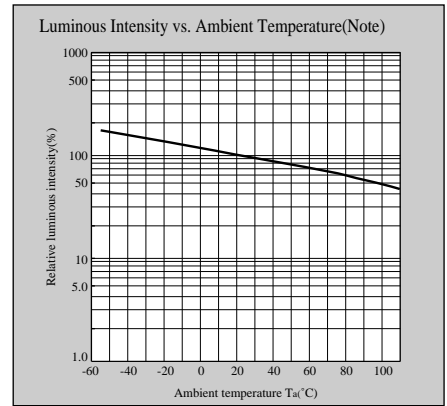
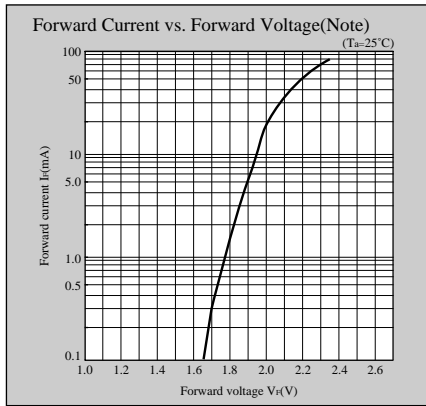
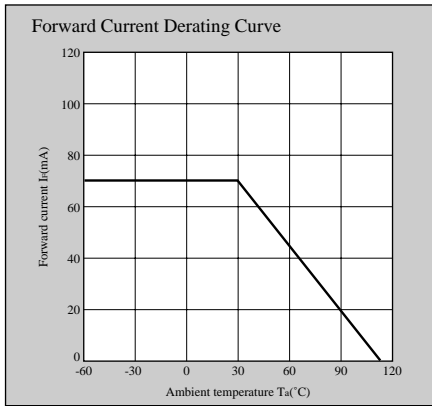
(Ta=25°C)

Lens type	Model No.	Radiation color	Forward voltage VF(V)			Dominant wavelengt		Luminous intensity		Reverse current		Page for characteristics diagrams
			TYP	MAX	IF (mA)	λd (nm) TYP	IF (mA)	Iv (mcd) TYP	IF (mA)	IR(μA) MAX	VR (V)	
Colorless transparency	GM5WA06250Z	Blue	4.2	5.0	40	469	40	1 450	20	100	4	65 to 66
		Green	4.2	5.0	40	520	40		40	100	4	
		Red	2.3	2.5	40	628	40		40	100	4	

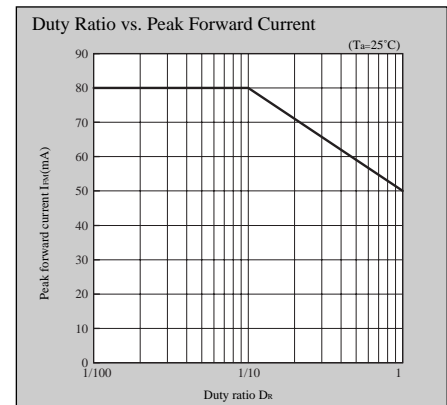
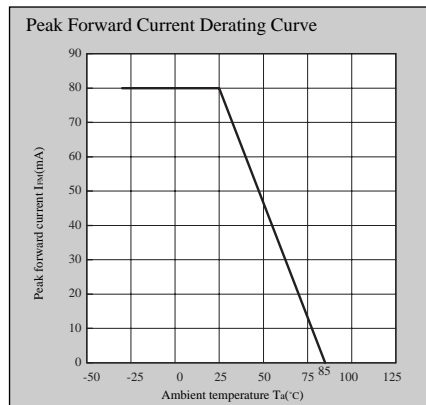
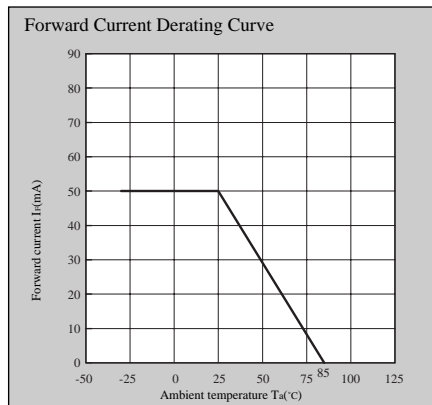
RGB 3-color

# Characteristics Diagrams

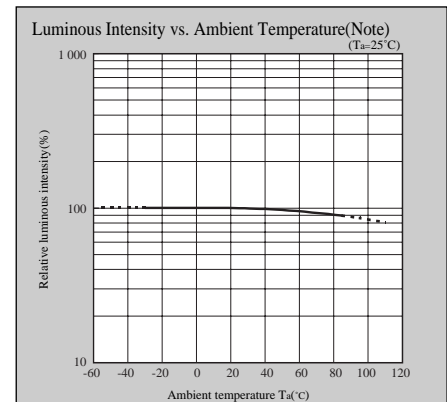
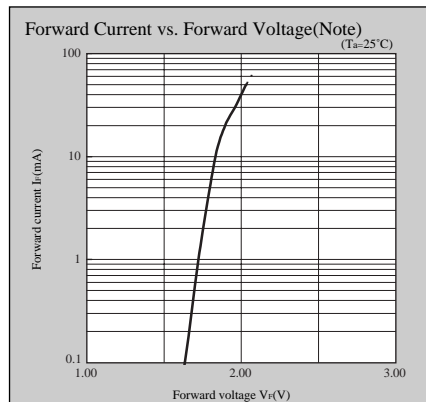
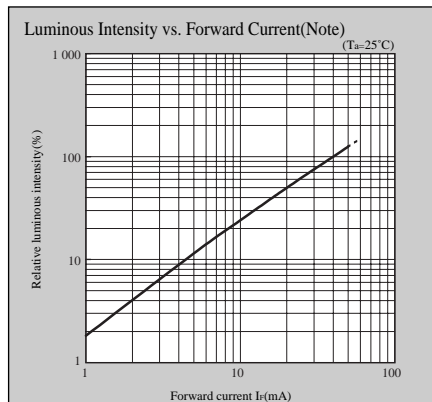
## GM5Z□01200A series, GM5Z□3200Z series



## GM5WA02200A/GM5WA06210A/GM5WA06250A/GM5WA06200Z/GM5WA06250Z



<Red>

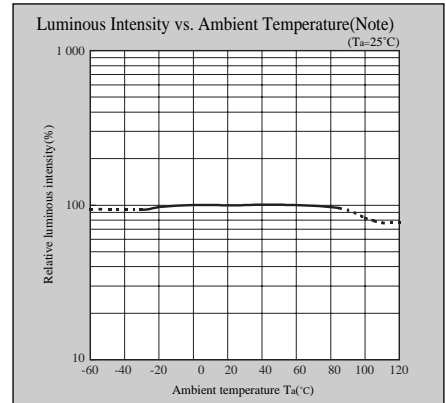
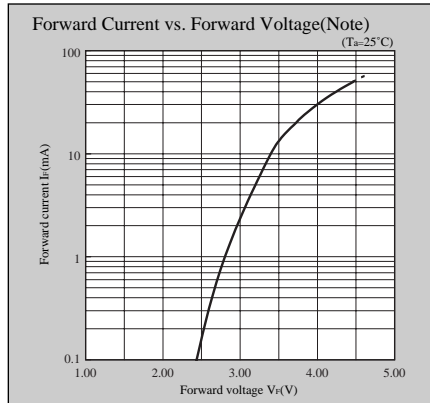
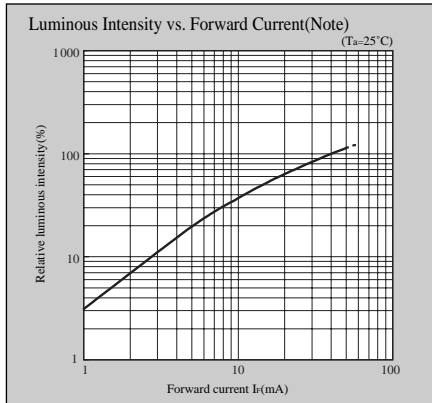


Note) Characteristics shown in diagrams are typical values. (not assurance value)

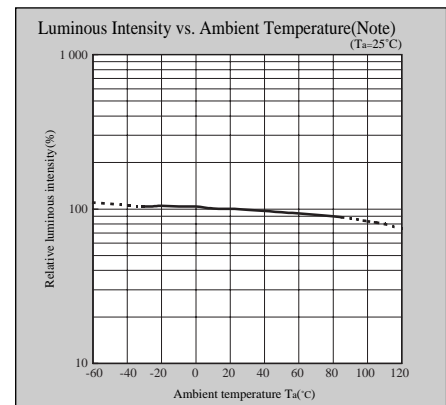
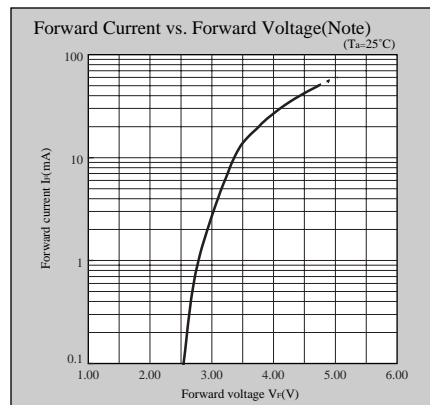
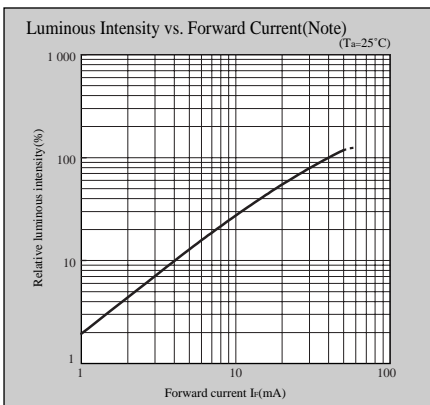
Notice In the absence of confirmation by device specification sheets, SHARP takes no responsibility for any defects that may occur in equipment using any SHARP devices shown in catalogs, data books, etc. Contact SHARP in order to obtain the latest device specification sheets before using any SHARP device.  
 Internet Internet address for Electronic Components Group <http://sharp-world.com/ecg>

# Characteristics Diagrams

<Green>



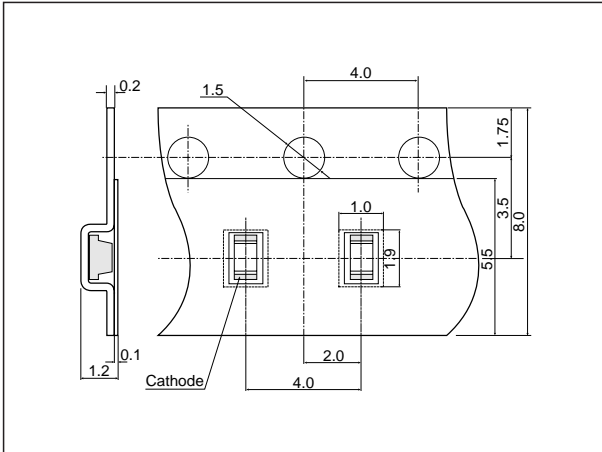
<Blue>



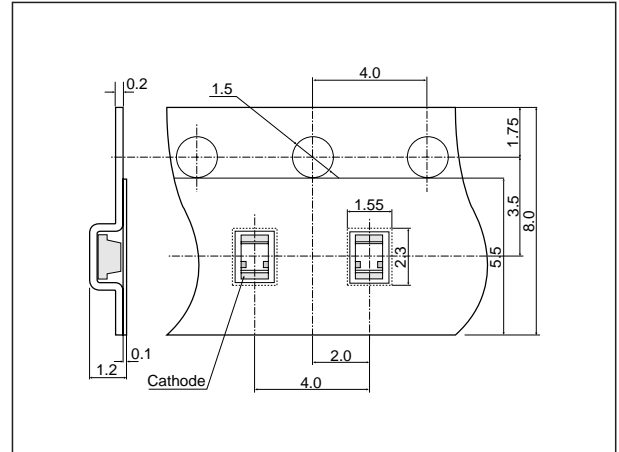
Note) Characteristics shown in diagrams are typical values. (not assurance value)

# Taping Specifications

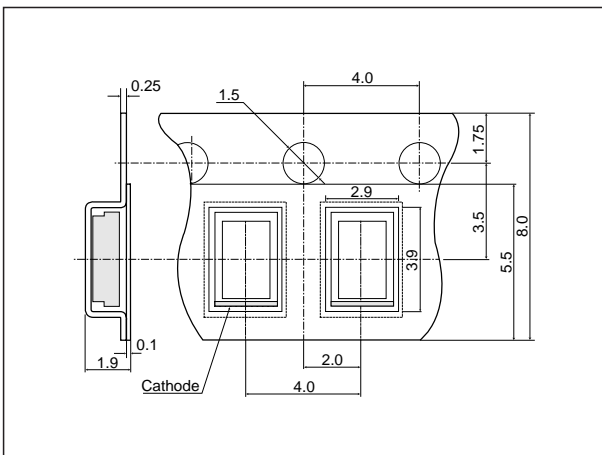
(Unit : mm)



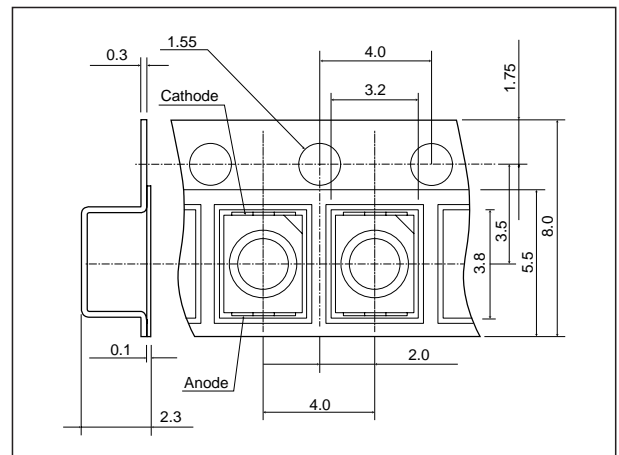
GM1□□35200A□ series 6 000 pcs. /reel  
 GM1□□55200A□ series 5 000 pcs. /reel  
 LT1□□67A series 4 000 pcs. /reel  
 LT1□□97A series 5 000 pcs. /reel



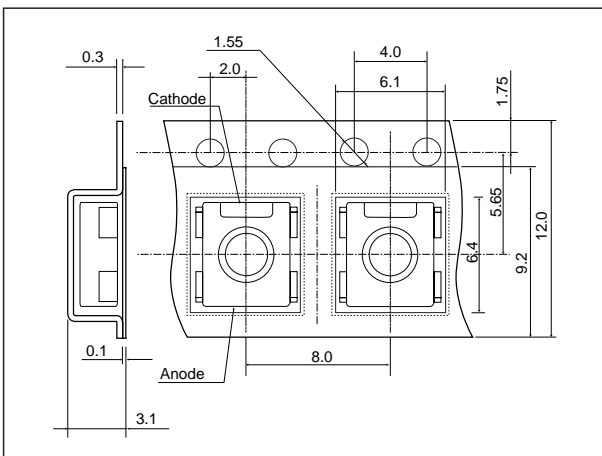
GM1□□40300AE series/LT1□□40A series 4 000 pcs. /reel



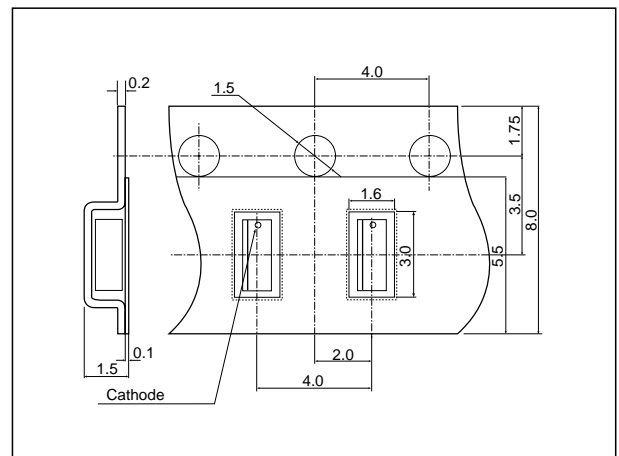
LT1□□90A series 3 000 pcs. /reel



GM5□□95200A□ series/LT1Z□□95A series 2 000 pcs. /reel



GM5□□01200A series/GM5WA02200A/GM5WA06210A/  
 GM5WA06250A 800 pcs. /reel



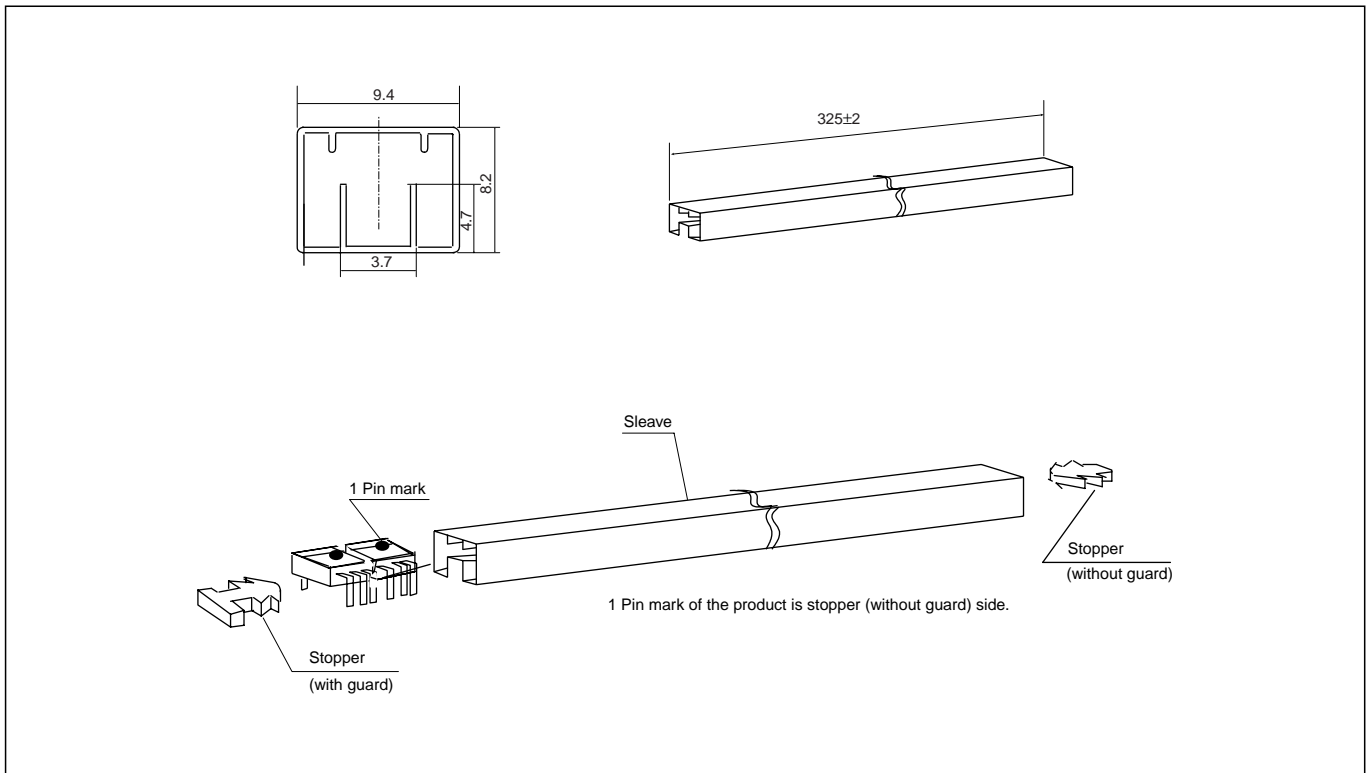
LT1□□45A series/GM4□□C13300AC series 3 000 pcs. /reel

Taping Specifications



# Taping Specifications

## ■Lead type Chip LED (Unit : mm)



GM5□□03200Z series/GM5WA06200Z/GM5WA06250Z 1 000 pcs. (50 pcs./sleeve × 20)

## NOTICE

- The circuit application examples in this publication are provided to explain representative applications of SHARP devices and are not intended to guarantee any circuit design or license any intellectual property rights. SHARP takes no responsibility for any problems related to any intellectual property right of a third party resulting from the use of SHARP's devices.
- Contact SHARP in order to obtain the latest device specification sheets before using any SHARP device. SHARP reserves the right to make changes in the specifications, characteristics, data, materials, structure, and other contents described herein at any time without notice in order to improve design or reliability. Manufacturing locations are also subject to change without notice.
- Observe the following points when using any devices in this publication. SHARP takes no responsibility for damage caused by improper use of the devices which does not meet the conditions and absolute maximum ratings to be used specified in the relevant specification sheet nor meet the following conditions:
  - (i) The devices in this publication are designed for use in general electronic equipment designs such as:
    - Personal computers
    - Office automation equipment
    - Telecommunication equipment [terminal]
    - Test and measurement equipment
    - Industrial control
    - Audio visual equipment
    - Consumer electronics
  - (ii) Measures such as fail-safe function and redundant design should be taken to ensure reliability and safety when SHARP devices are used for or in connection with equipment that requires higher reliability such as:
    - Transportation control and safety equipment (i.e., aircraft, trains, automobiles, etc.)
    - Traffic signals
    - Gas leakage sensor breakers
    - Alarm equipment
    - Various safety devices, etc.
  - (iii) SHARP devices shall not be used for or in connection with equipment that requires an extremely high level of reliability and safety such as:
    - Space applications
    - Telecommunication equipment [trunk lines]
    - Nuclear power control equipment
    - Medical and other life support equipment (e.g., scuba).
- If the SHARP devices listed in this publication fall within the scope of strategic products described in the Foreign Exchange and Foreign Trade Law of Japan, it is necessary to obtain approval to export such SHARP devices.
- This publication is the proprietary product of SHARP and is copyrighted, with all rights reserved. Under the copyright laws, no part of this publication may be reproduced or transmitted in any form or by any means, electronic or mechanical, for any purpose, in whole or in part, without the express written permission of SHARP. Express written permission is also required before any use of this publication may be made by a third party.
- Contact and consult with a SHARP representative if there are any questions about the contents of this publication.